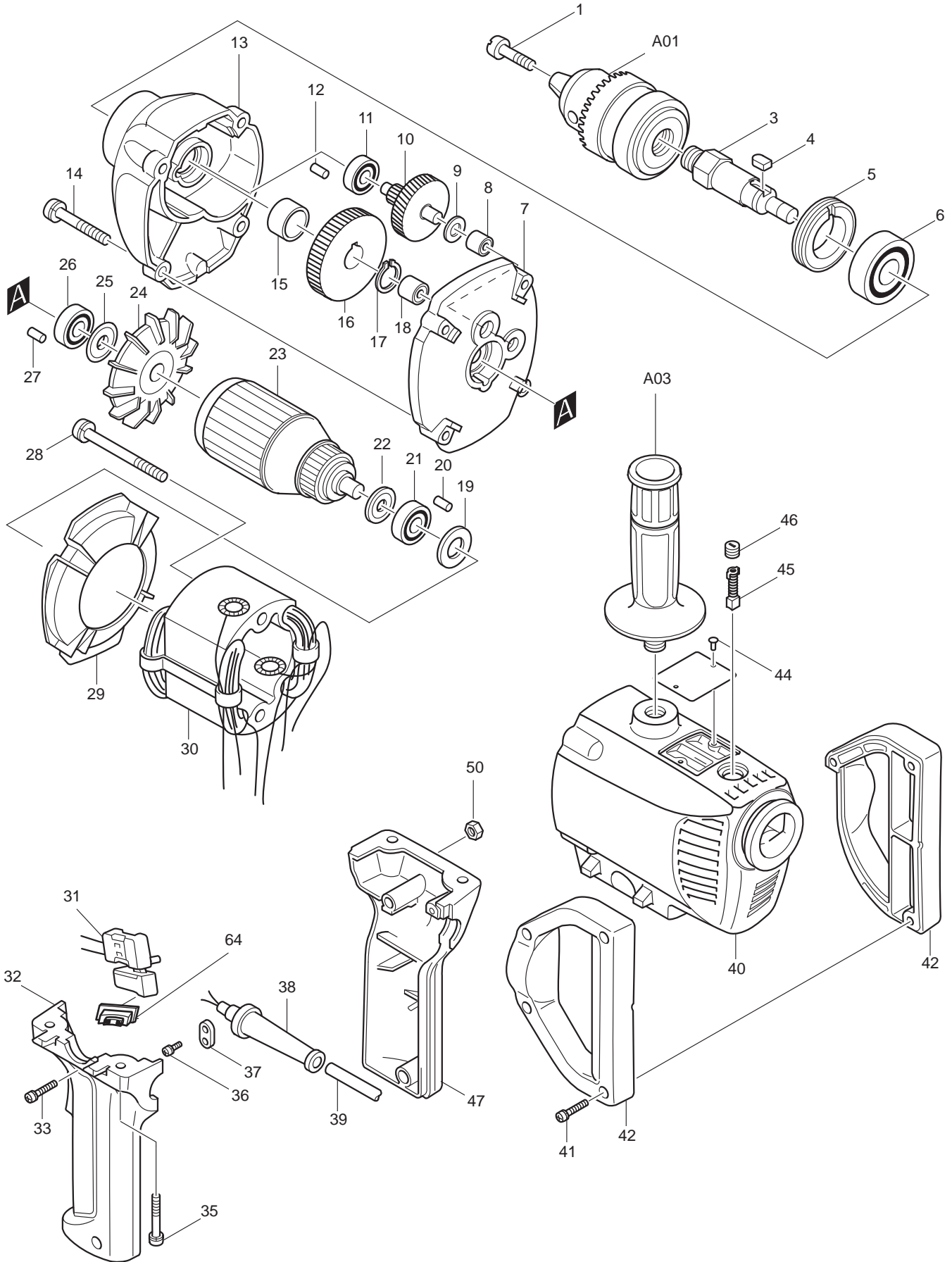




04 - 2010  
6013BR / 6013BRK  
1/2" DRILL



Item No	Type	Ref	Part No	Description	Qty	Unit
1	1		251425-3	- FLAT HEAD SCREW M6X22	1	PC.
	2		251441-5	- FLAT HEAD SCREW M6X22	1	PC.
3			325494-1	SPINDLE	1	PC.
4			254211-1	KEY 5	1	PC.
5	1		285808-5	BEARING RETAINER 25-36	1	PC.
	2		285807-7	BEARING RETAINER 22-36	1	PC.
6			211206-7	BALL BEARING 6202LLB	1	PC.
7	1		312989-3	GEAR HOUSING COVER	1	PC.
		INC.		Item No. 8, 18, 27		
	2		156972-8	GEAR HOUSING COVER COM.	1	PC.
		INC.		Item No. 27		
8			212012-3	NEEDLE BEARING 609	1	PC.
9			261008-1	FIBER WASHER 6	1	PC.
10			226028-2	GEAR COMPLETE 7-41	1	PC.
11			211016-2	BALL BEARING 626LLB	1	PC.
12			263002-9	RUBBER PIN 4	1	PC.
13			156971-0	GEAR HOUSING (OLD#312988-5)	1	PC.
		INC.		Item No. 12		
14			266105-8	* TAPPING SCREW BT M5X35	4	PC.
15			257018-4	RING 15	1	PC.
16			221261-1	SPUR GEAR 47	1	PC.
17			961054-1	RETAINING RING S-14	1	PC.
18			212003-4	NEEDLE BEARING 810	1	PC.
19			253192-6	FLAT WASHER 14	1	PC.
20			263002-9	RUBBER PIN 4	1	PC.
21			211033-2	BALL BEARING 608LB	1	PC.
22			681613-2	INSULATION WASHER	1	PC.
23	4		512611-4	* ARMATURE ASS'Y 115V	1	PC.
		INC.		* Item No. 21,22,24-26		
24			241622-9	FAN 62	1	PC.
25			213002-9	DUST SEAL 8	1	PC.
26			211031-6	BALL BEARING 608LLB	1	PC.
27			263002-9	RUBBER PIN 4	1	PC.
28	2		266106-6	* TAPPING SCREW BT M5X60	2	PC.
29			411487-5	FAN GUIDE	1	PC.
30	4		522436-8	* FIELD ASS'Y 115V	1	PC.
		INC.	654018-9	* RING TERMINAL	2	PC.
	5		590031-2	* FIELD ASS'Y 115V	1	PC.
		INC.	654018-9	* RING TERMINAL	1	PC.
		INC.	654555-3	* CONNECTOR P-1.25	1	PC.
31	2		651564-3	* SWITCH SL220SD-4	1	PC.
32	3		183110-9	* SWITCH HANDLE SET	1	SET
		INC.		* Item No. 47		
33	2		911153-9	* PAN HEAD SCREW M4X28	3	PC.
35	3		266107-4	* TAPPING SCREW BT M5X28	4	PC.
36			911133-5	PAN HEAD SCREW M4X18	2	PC.
37			687002-9	STRAIN RELIEF	1	PC.
38	2		682559-5	CORD GUARD 8-110 (OLD# 682502-4)	1	PC.
39			664064-4	CORD WITH PLUG 2P-18-2.5M, SJ	1	PC.
40	2		159924-8	* MOTOR HOUSING COMPLETE	1	PC.
		INC.	643556-6	* BRUSH HOLDER 5-8	2	PC.
		INC.		* Item No. 20		
41			911153-9	PAN HEAD SCREW M4X28	4	PC.
42	1		181162-4	HANDLE SET - N/L/A	1	SET
	2		183109-4	HANDLE SET	1	PC.
44			953106-2	RIVET 0-5	2	PC.

Item No	Type	Ref	Part No	Description	Qty	Unit
45	1		181021-2	CARBON BRUSH CB-51 2PC/SET (W/O ORIGIN) - N/L/A	1	SET
	2		191947-0	CARBON BRUSH CB-76 2PC/SET (W/O ORIGIN) - N/L/A	1	SET
	3		194972-0	CARBON BRUSH CB-76 2PC/SET (W/ ORIGIN)	1	SET
46			643550-8	BRUSH HOLDER CAP 5-8	2	PC.
47	3		183110-9	* SWITCH HANDLE SET	1	SET
		INC.		* Item No. 32		
50			931102-0	* HEX NUT M4 (OLD)	1	PC.
51			153110-3	GEAR SHAFT (B) WITH ITEM 61	1	PC.
52			962155-8	RETAINING RING R-37	1	PC.
53			156387-9	GEAR HOUSING WITH ITEM 62	1	PC.
54			153109-8	GEAR SHAFT (A) WITH ITEM 63	1	PC.
55			962155-8	RETAINING RING R-37	1	PC.
56			325311-5	SLEEVE	1	PC.
57			164301-1	JOINT	1	PC.
58			921552-7	HEX BOLT M10X30	2	PC.
61			221314-6	GEAR 14 (OLD)	1	PC.
62			212005-0	NEEDLE BEARING 810 (OLD)	2	PC.
63			221313-8	GEAR 21 (OLD)	1	PC.
64			421297-2	* DUST COVER (OLD)	1	PC.
65			343657-7	* RETAINER	2	PC.
D01	1		654532-5	TERMINAL BLOCK 1P	1	PC.
	2		654558-7	INSULATED CONNECTOR	1	PC.
D02	1		654037-5	INSULATED TERM. FK1.25-M3	4	PC.
	2		654183-4	INSULATED TERMINAL	4	PC.
D03	1		654501-6	CONNECTOR P-1.25	2	PC.
	3		654555-3	CONNECTOR P-1.25	1	PC.

**ACCESSORIES**

- See catalogue or visit [www.makita.ca](http://www.makita.ca) for more optional accessories -

A01	4		763078-1	* 1/2" DRILL CHUCK	1	PC.
A02	4		763432-9	* CHUCK KEY S13	1	PC.
	Opt.		763411-7A	* CHUCK KEY S13	1	PC.
A03	1		273404-1	GRIP 37 (NO FLANGE)	1	PC.
	2		152492-0	GRIP 36 COMPLETE	1	PC.
A04	1		824440-6	PLASTIC CARRYING CASE (6013BRK)	1	PC.
		INC.	A00181-7	HANDLE - N/L/A	1	PC.
	2		824967-6	PLASTIC CARRYING CASE (6013BRK)	1	PC.
		INC.	A00188-3	SNAP LOCK	2	PC.
A06			781008-0	WRENCH 17	1	PC.
A07			122177-2	RIGHT ANGLE ATTACHMENT (See Parts Breakdown below)	1	PC.
		INC.		Item No. 51-58, A06		

**SERVICE CHANGE**

**1. Change on Drill chuck, chuck key etc.**

Item No.	Description	Type 1	Type 2	Type 3	Type 4
A01	½" Drill Chuck	763047-2	763078-1 (763047-2A)	763047-2B (N/L/A)	763078-1 (763047-2A)
A02	Chuck Key	798341-3 (Option:763432-9)	763411-7A	763411-7B (N/L/A)	763432-9

Above parts are interchangeable as a set

Type 2 - 4 screw can be used with Type 1 Drill chuck

Type 2, 3, 4 are interchangeable as themselves

**2. Change on Armature Assy, Field Assy, Motor Housing Com., etc.**

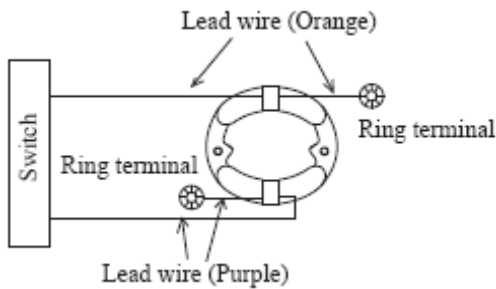
(T/I#Y06001)

Item No.	Description	Type 1	Type 2	Type 3	Type 4	Type 5
14	Screw M5 X 35	911256-9 (P.H.)		266105-8 (Tapping)		
23	Armature Assy	512611-4	516196-2 (N/L/A)		512611-4	
28	Screw	911280-2 (P.H. M5 X 55)		266106-6 (Tapping M5 X 60)		
30	Field Assy	622436-9	534206-3		522436-8	590031-2
31	Switch	651554-6 (w/ Insulation Paper)	651564-3 (No Insulation Paper)			
35	Screw M5 X 28	911248-8 (P.H.)		266107-4 (Tapping)		
40	Motor Housing Com.	156443-5 (N/L/A)	159726-2 (N/L/A)	159924-8		
65	Retainer	N/A	343657-7		----	343657-7

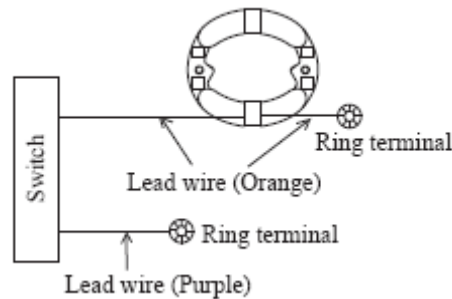
Above Parts are interchangeable as a set

Armatures and Field are interchangeable as themselves.

~ Type 4 Field Wiring



Type 5 Field Wiring



**3. Change on Switch Handle, etc.**

Item No.	Description	Type 1	Type 2	Type 3
32	Switch Handle Set	411484-1 (L) (N/L/A)	414325-0 (L) (N/L/A)	183110-9 (set)
33	P.H. Screw M4 X 28	911153-9		
		2PCS	3PCS	
47	Switch Handle Set	411483-3 (R) (N/L/A)	414324-2 (R) (N/L/A)	183110-9 (set)
50	Hex Nut M4	931102-0		
		2PCS	3PCS	
64	Dust Cover	N/A	421297-2	

Above Parts are interchangeable as a set